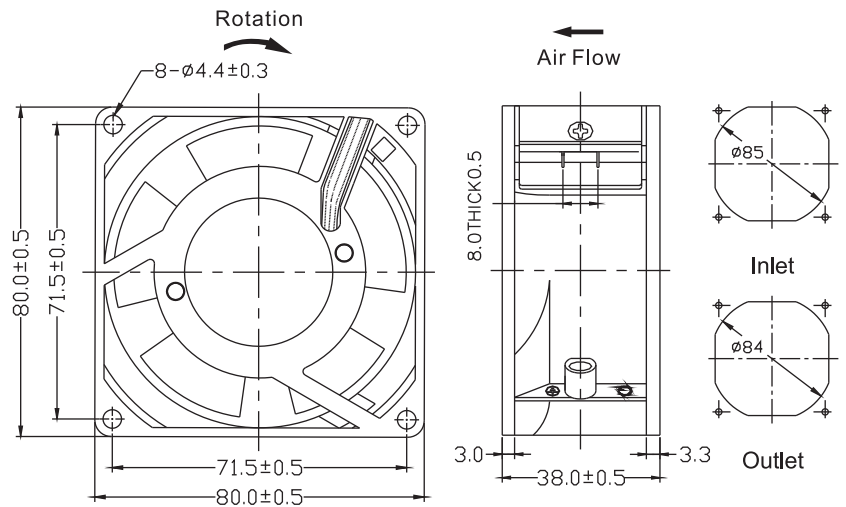




## Dimensions Drawing



Unit: mm

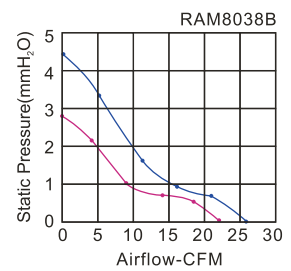
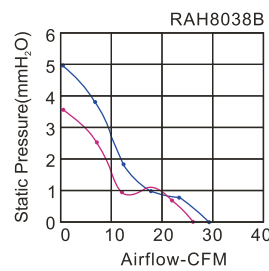
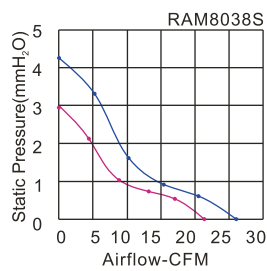
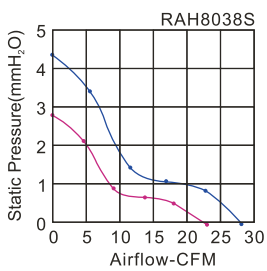
## General Specification

- Impeller : PBT UL94V-0 Reinforced Plastic
- Frame : Aluminum Alloy
- Terminals : 0.5mm
- Lead Wire : AWG#22 UL 1430(Optional)
- Motor : Shaded Pole Induction Motor
- Operation Temperature : -10°C~+70°C  
35%~85%RH
- Storage Temperature : -40°C~75°C  
35%~85%RH



## Performance Curves

Key  
— 60Hz  
— 50Hz



| Model     | Bearing System | Voltage VAC | Freq. Hz | Current A | Power W | Speed RPM | Noise dBA | Air Flow           |       | Static Pressure (mmH <sub>2</sub> O) | Weight Gram |
|-----------|----------------|-------------|----------|-----------|---------|-----------|-----------|--------------------|-------|--------------------------------------|-------------|
|           |                |             |          |           |         |           |           | M <sup>3</sup> /hr | CFM   |                                      |             |
| RAH8038S1 | Sleeve         | 220~240     | 50/60    | 0.08      | 14/10   | 2400/2900 | 33/38     | 39/48              | 23/28 | 2.9/4.5                              | 340         |
| RAM8038S1 |                | 220~240     | 50/60    | 0.06      | 7/6     | 2300/2700 | 32/35     | 36/44              | 21/26 | 2.7/4.2                              |             |
| RAH8038S2 |                | 100~125     | 50/60    | 0.20      | 16/12   | 2400/2900 | 33/38     | 39/48              | 23/28 | 2.9/4.5                              |             |
| RAM8038S2 |                | 100~125     | 50/60    | 0.10      | 9/7     | 2300/2700 | 32/35     | 36/44              | 21/26 | 2.7/4.2                              |             |
| RAH8038B1 | Ball           | 220~240     | 50/60    | 0.08      | 14/10   | 2700/3000 | 35/39     | 44/49              | 26/29 | 3.7/5.0                              |             |
| RAM8038B1 |                | 220~240     | 50/60    | 0.06      | 7/6     | 2300/2700 | 32/35     | 37/44              | 22/26 | 2.8/4.5                              |             |
| RAH8038B2 |                | 100~125     | 50/60    | 0.20      | 16/12   | 2700/3000 | 35/39     | 44/49              | 26/29 | 3.7/5.0                              |             |
| RAM8038B2 |                | 100~125     | 50/60    | 0.10      | 9/7     | 2300/2700 | 32/35     | 37/44              | 22/26 | 2.8/4.5                              |             |

● All readings are typical values at rated voltage.  
● Specifications are subjected to change without prior notice.