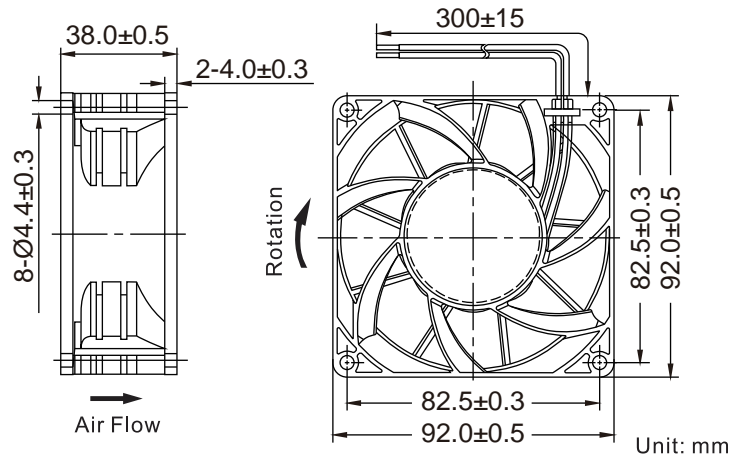


92 x 92 x 38 mm



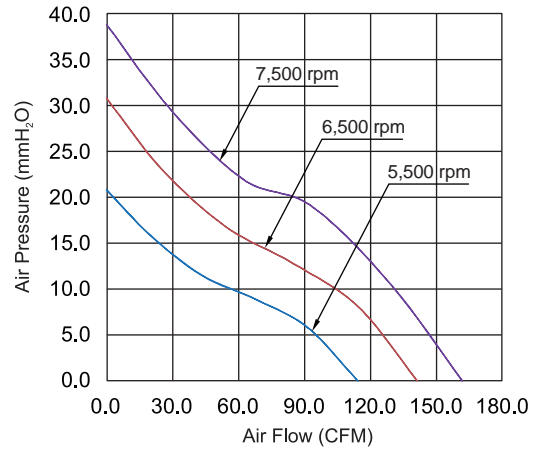
Dimensions Drawing



General Specification

- Frame and Impeller : Thermal Plastic , UL 94V-0
- Lead Wires : UL Type  
(+) : Red (-) : Black
- Operation Temperature : -10°C~70°C  
35%~85%RH
- Storage Temperature : -40°C~80°C  
35%~85%RH
- (12V 24V)

Performance Curves



Listed Model	Bearing System	Rated Voltage	Operation Voltage	Rated Current	Rated Speed	Air Flow	Air Pressure	Noise Level	Available Features (Optional)				Weight
		VDC	VDC	A	RPM	CFM	mmH <sub>2</sub> O	dBA	Tachometer Output	Rotation Detector	Thermal Control	Pulse Width Modulation	g
RGH9238B1	Ball	12	7.0~13.8	4.00	7,500	161.8	38.8	66	•	•		•	240
RGM9238B1			7.0~13.8	2.20	6,500	141.4	30.8	62	•	•		•	
RGL9238B1			7.0~13.8	1.30	5,500	114.3	20.8	59	•	•		•	
RGH9238B2	Ball	24	12.0~27.6	1.90	7,500	161.8	38.8	66	•	•		•	
RGM9238B2			12.0~27.6	1.10	6,500	141.4	30.8	62	•	•		•	
RGL9238B2			12.0~27.6	0.65	5,500	114.3	20.8	59	•	•		•	
RGH9238B4	Ball	48	24.0~55.2	1.00	7,500	161.8	38.8	66	•	•		•	
RGM9238B4			24.0~55.2	0.55	6,500	141.4	30.8	62	•	•		•	
RGL9238B4			24.0~55.2	0.35	5,500	114.3	20.8	59	•	•		•	

● All readings are typical values at rated voltage.  
● Specifications are subjected to change without prior notice.